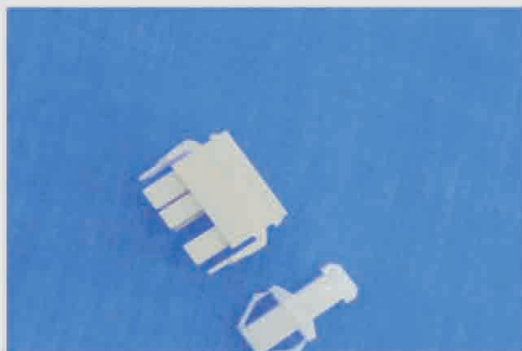


# B620004



- ▶ 主要技术特性 (Main Specifications)
- ▶ 适用导线规格 (Applicable wire) : AWG20#~12#
- ▶ 适用基板厚度 (Applicable PC board thickness) : —
- ▶ 温度范围 (Temperature range) : -25°C~+85°C
- ▶ 额定电压 (Voltage rating) : 250V AC, DC
- ▶ 额定电流 (Current rating) : 10A AC, DC
- ▶ 接触电阻 (Contact resistance) :  $\leq 0.02\Omega$
- ▶ 绝缘电阻 (Insulation resistance) :  $\geq 1000M\Omega$
- ▶ 耐压 (Withstanding voltage) : 1500V AC/minute

## 材料及电镀规格 Material and Finish

型号 Type	材料 Material	材料厚度 Material Thickness	电镀规格 Finish
孔座 HOUSING	PA66 UL94V-0	—	N/A

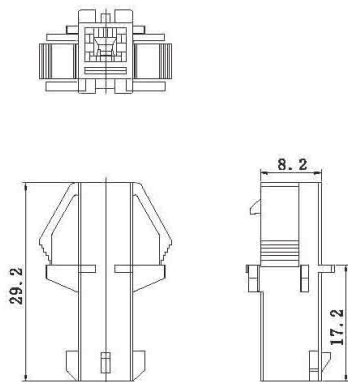
## 产品尺寸图 Product size chart

 单位: mm 一般公差:  $\pm 0.20$ 

### HOUSING

B620004-1-01

MG621533T



B620005-2-09

MG612725

